

# KITCHEN STORAGE FITTINGS AND ACCESSORIES





**Vauth-Sagel**

As a manufacturing supplier to industry, Häfele's partner VAUTH-SAGEL Systemtechnik works with the widest variety of materials such as wood, plastic, sheet metal and metal - and brings them together producing high quality German engineered products.

For over one hundred years wire has been manufactured, shaped and processed in many different ways. VAUTH-SAGEL Systemtechnik have been constantly perfecting wire processing and is one of the leading manufacturers of functional fittings for the furniture industry.



**Swing out pantry unit with white Premea bases and Glassline inserts, shown on pages 8-9**



**Recorner maxx® - working parts are virtually unseen, shown on pages 22-23**



**HSA power move® for use with Vauth-Sagel larder units, shown on pages 4-7**



Premea glassline . . . . . **2-3**

HSA pull out larder units . . . . . **4-5**

Power move® electric motor . . . . . **6**

HSA rotary larder units . . . . . **6-7**

DUSA® swing out pantry units . . . . . **8-9**

Base liner pull out system . . . . . **10-11**

Wari corner® swing out corner storage units . . . . **12-13**

DSA pull out storage - frames and baskets . . . . **14-17**

Pull out storage sets . . . . . **18-19**

Rotary 45° angled storage units . . . . . **20**

Pull out storage baskets . . . . . **21**

Recorner maxx® pole-free shelving units . . . . . **22-23**

Twin corner pull out shelving units . . . . . **24-25**

Slide corner shelving units . . . . . **26**

Swing out waste bins . . . . . **27**

Oeko liner pull out waste bins . . . . . **28**

Oeko flexliner system for drawer boxes . . . . . **29**



V-S 2011, HUK. Dimensional data not binding. We reserve the right to alter specifications without notice.



The new Premea Glassline basket follows the current trend towards glass and gives you the opportunity to create your own individual kitchen furniture design.

- The new range of Premea Glassline baskets are available for the complete range of Vauth-Sagel fittings
- The glass side panels are easy to change without any tools
- Decor panels are available in clear or frosted glass as standard or create your own for a very individual kitchen furniture design

**Note:** Glassline glass side panels are optional and must always be ordered separately if required.



**Clear glass**



**Frosted glass**



**HSA**

The HSA pull out larder unit has an elegant and uniform design and allows full access to the contents of every basket. *Pages 4-5*



**DUSA®**

The proven classic DUSA® tall larder unit guarantees a high degree of convenience and functionality. Its high safety standards and harmonious design make it an element that you do not want to be without in any state-of-the-art kitchen.

Baskets can be individually positioned at the required height in both the cabinet frame and on the door frame. *Pages 8-9*

V-S 2011, HUK. Dimensional data not binding. We reserve the right to alter specifications without notice.



**Recorner maxx®**

This pole-free corner cabinet solution provides a distinctly greater amount of storage space with no space limiting central column, allowing optimum use of storage space. *Pages 22-23*



**DSA**

The DSA side pull-out is the proven solution for base cabinets. This popular classic has additional front stabilization and an adjustment device for wide fronts and all angles. *Pages 14-17*



**Wari corner®**

This clever storage unit is designed so that the rear baskets automatically follow the front baskets when the door is opened and pulled away from the cabinet, making all baskets easily accessible when the unit is fully opened. *Pages 12-13*

V-S 2011, HUK. Dimensional data not binding. We reserve the right to alter specifications without notice.

HSA Pull Out Larder Units

**HSA pull out larder units**

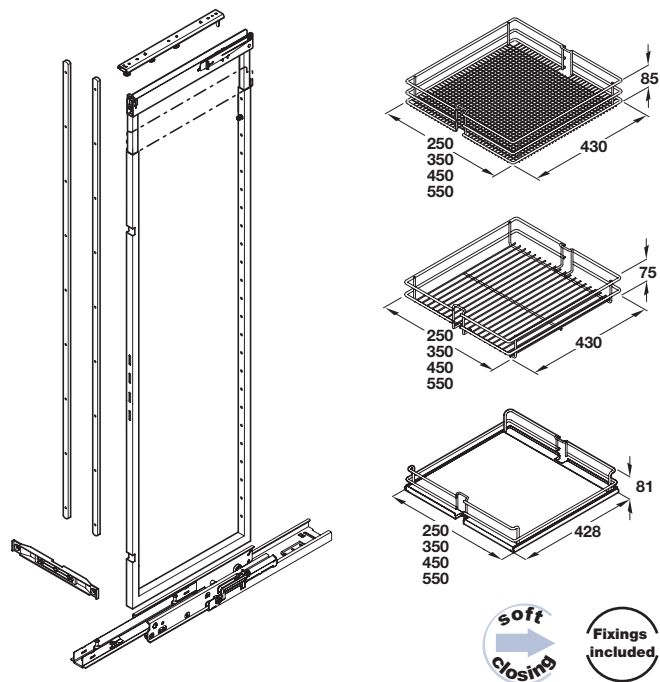
Larder unit pulls out allowing full access to the contents of every basket. Integrated soft close system ensures quiet, smooth closing of the pull out.

Choice of wire baskets, linear or mesh, or white Premea solid based baskets. Baskets are included with larder unit sets.

Additional single baskets are available for installed height of 2150-2330 mm.

Optional Glassline glass side insert sets can be ordered separately for Premea style baskets.

Cabinets are not included.



**Power move®**

The power move® electric motor for use with larder units shown on pages 4-7 is shown in detail on page 6.



Power move® makes the pull-out larder units even smoother and more simple to operate.

Baskets are included with larder unit sets, glass sides optional



**HSA larder unit complete set, centre mounting, height adjustable, full extension**

- For installed heights:  
 950-1200 mm: **4x baskets included**  
 1200-1450 mm, 1450-1700 mm: **4x baskets included**  
 1700-1950 mm, 1900-2150 mm, 2140-2330 mm: **5x baskets included** (single baskets can be ordered in addition separately)
- Built-in depth 470 mm
- For cabinet widths 300, 400, 500 or 600 mm

**Set includes:**

- 1x Frame set
- 1x Runner set
- 1x Basket set

| For cabinet width     | 300 mm  | 400 mm     | 500 mm     | 600 mm     |
|-----------------------|---|------------|------------|------------|
| Basket width          | 250 mm  | 350 mm     | 450 mm     | 550 mm     |
| Installed height (mm) | <b>Larder unit with mesh wire storage baskets</b>   |            |            |            |
| 950-1200              | 547.20.501  | 547.20.511 | 547.20.521 | 547.20.531 |
| 1200-1450             | 547.20.502  | 547.20.512 | 547.20.522 | 547.20.532 |
| 1450-1700             | 547.20.503  | 547.20.513 | 547.20.523 | 547.20.533 |
| 1700-1950             | 547.20.504  | 547.20.514 | 547.20.524 | 547.20.534 |
| 1900-2150             | 547.20.505  | 547.20.515 | 547.20.525 | 547.20.535 |
| 2140-2330             | 547.20.506  | 547.20.516 | 547.20.526 | 547.20.536 |
| Installed height (mm) | <b>Larder unit with linear wire storage baskets</b> |            |            |            |
| 950-1200              | 547.20.541  | 547.20.551 | 547.20.561 | 547.20.571 |
| 1200-1450             | 547.20.542  | 547.20.552 | 547.20.562 | 547.20.572 |
| 1450-1700             | 547.20.543  | 547.20.553 | 547.20.563 | 547.20.573 |
| 1700-1950             | 547.20.544  | 547.20.554 | 547.20.564 | 547.20.574 |
| 1900-2150             | 547.20.545  | 547.20.555 | 547.20.565 | 547.20.575 |
| Installed height (mm) | <b>Larder unit with solid base Premea baskets</b>   |            |            |            |
| 950-1200              | 547.20.601  | 547.20.611 | 547.20.621 | 547.20.631 |
| 1200-1450             | 547.20.602  | 547.20.612 | 547.20.622 | 547.20.632 |
| 1450-1700             | 547.20.603  | 547.20.613 | 547.20.623 | 547.20.633 |
| 1700-1950             | 547.20.604  | 547.20.614 | 547.20.624 | 547.20.634 |
| 1900-2150             | 547.20.605  | 547.20.615 | 547.20.625 | 547.20.635 |

Order qty: 1 set



Linear wire baskets



Mesh wire baskets



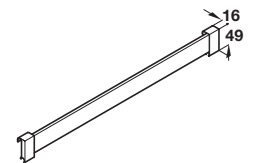
Baskets with Premea base, polished chrome fixing clips and glass sides

**Single additional basket set**

- Four basket widths to suit cabinet widths 300, 400, 500 or 600 mm
- Available in 3 styles; mesh chrome wire, linear chrome wire or white Premea solid base
- Additional single baskets can be added for installed height of 2150-2330 mm up to a total of 7 baskets
- 2x Grey plastic basket hanging clips for 1 basket included

| <b>Single basket set</b>                 |            |            |            |            |
|--|------------|------------|------------|------------|
| For cabinet width                        | 300 mm     | 400 mm     | 500 mm     | 600 mm     |
| Basket width                             | 250 mm     | 350 mm     | 450 mm     | 550 mm     |
| <b>Mesh wire storage baskets</b>         |            |            |            |            |
| 1 basket set                             | 547.25.351 | 547.25.350 | 547.25.353 | 547.25.354 |
| <b>Linear wire storage baskets</b>       |            |            |            |            |
| 1 basket set                             | 547.25.361 | 547.25.360 | 547.25.363 | 547.25.364 |
| <b>Solid base Premea storage baskets</b> |            |            |            |            |
| 1 basket set                             | 547.25.681 | 547.25.680 | 547.25.683 | 547.25.684 |

Order qty: 1 set



**Glassline insert set**

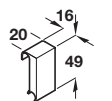
- Glass side panels (400 x 38.5 x 5 mm) and clips in quantities suitable for 1, 4 or 5 basket sets (2 sides and 4 clips per basket)
- **For use with solid base Premea baskets only**
- Panels slot into fixing clips, fixing clips clip onto basket front/rear

| <b>Glass sides insert set for use with solid base Premea baskets</b> |             |               |
|--|-------------|---------------|
| For use with   | Clear glass | Frosted glass |
| 1 basket set   | 547.24.441  | 547.24.541    |
| 4 basket set   | 547.24.444  | 547.24.544    |
| 5 basket set   | 547.24.445  | 547.24.545    |

Order qty: 1 set

**Additional plastic clip set**

- 1 set includes 2 pairs of clips, suitable to fit 2 glass sides to 1 Premea basket



| Finish          | Cat. No.   |
|-----------------|------------|
| Polished chrome | 547.24.252 |

Order qty: 1 set (1 set = 2 pairs)

**Additional plastic clip, other colours**

- Handed; order 1 left and 1 right for each glass side

| Finish | Left hand  | Right hand |
|--------|------------|------------|
| Grey   | 547.24.651 | 547.24.650 |
| Black  | 547.24.351 | 547.24.350 |
| White  | 547.24.751 | 547.24.750 |

Order qty: 1 pc

## HSA Rotary Larder Units, Power Move® Electric Motor



**Chrome mesh baskets** - rotary larder unit with chrome plated steel mesh baskets.

HSA rotary larder units rotate through 90° in either direction, allowing full access to the contents of every basket.

A safety mechanism locks the runner when the unit rotates, to prevent the unit from closing until the frame is moved back in-line.

Integrated damping ensures quiet, smooth closing of the pull out.

Choice of wire baskets, linear or mesh, or white Premea solid based baskets. Baskets are included with larder unit sets.

Optional Glassline glass side insert sets can be ordered separately for Premea style baskets.

Cabinets are not included.



#### Power move® electric motor

- For use with larder units shown on pages 4-7
- Order adaptor separately when used with rotary larder units shown on page 7
- Can be retro-fitted
- Fixings included
- Drive control is dependent on load and will adjust itself automatically
- By lightly pulling or pressing the cabinet front the electric motor is triggered to open the larder unit
- Rubber minimises the amount of noise transmitted to the cabinet
- Safety stop: Pull out movement is stopped if larder unit touches person or object in the way
- If power fails, the larder unit can be used like a normal pull-out unit
- Grey plastic

|                                 | Cat. No.   |
|---------------------------------|------------|
| Power move®                     | 547.21.090 |
| Adaptor for rotary larder units | 547.22.090 |

Order qty: 1 pc





**HSA rotary larder unit complete set, centre mounting, height adjustable, full extension, with storage baskets**

- For installed heights: 1790-2040 or 1990-2230 mm
- Built-in depth 500 mm
- For cabinet width 300 or 400 mm

**Set includes:**

**1x Rotary frame set:**

Hanging frame, silver epoxy coated tubular steel, height adjustable  
 Door panel mounting bars; 2x bars, silver epoxy coated steel  
 Fixing screws and fitting instructions

**1x Runner set:**

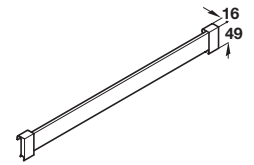
Top and bottom runners, zinc-plated steel, full extension, ball cage top runner with damper and self closing bottom roller runner with damper, max. load carrying capacity 80 kg per unit  
 Fixing screws and fitting instructions

**1x Basket set:**

5 mesh, linear or Premea solid base baskets  
 Grey plastic basket hanging clips  
 Door panel mounting plates; steel, 3 way adjustable  
 Adjustable plinth foot, for screw fixing, for plinth height 150 mm. Included in 400 width set only

| For cabinet width | 300 mm  | 400 mm     |
|-------------------|---|------------|
| Basket width      | 250 mm  | 350 mm     |
| Installed height  | Larder unit with <b>mesh wire storage baskets</b>   |            |
| 1790-2040 mm      | 547.22.904  | 547.22.924 |
| 1990-2230 mm      | 547.22.905  | 547.22.925 |
| Installed height  | Larder unit with <b>linear wire storage baskets</b> |            |
| 1790-2040 mm      | 547.22.504  | 547.22.524 |
| 1990-2230 mm      | 547.22.505  | 547.22.525 |
| Installed height  | Larder unit with <b>solid base Premea baskets</b>   |            |
| 1790-2040 mm      | 547.22.804  | 547.22.824 |
| 1990-2230 mm      | 547.22.805  | 547.22.825 |

Order qty: 1 set



**Glassline insert set**

- Glass side panels (400 x 38.5 x 5 mm) and clips in quantities suitable for 5 basket set (2 sides and 4 clips per basket)
- **For use with solid base Premea baskets only**
- Panels slot into fixing clips, fixing clips clip onto basket front/rear

**Glass sides insert set for use with solid base Premea baskets**

| For use with | Clear glass | Frosted glass |
|--------------|-------------|---------------|
| 5 basket set | 547.24.445  | 547.24.545    |

Order qty: 1 set

**Additional plastic clip set**

- 1 set includes 2 pairs of clips, suitable to fit 2 glass sides to 1 Premea basket



| Finish          | Cat. No.   |
|-----------------|------------|
| Polished chrome | 547.24.252 |

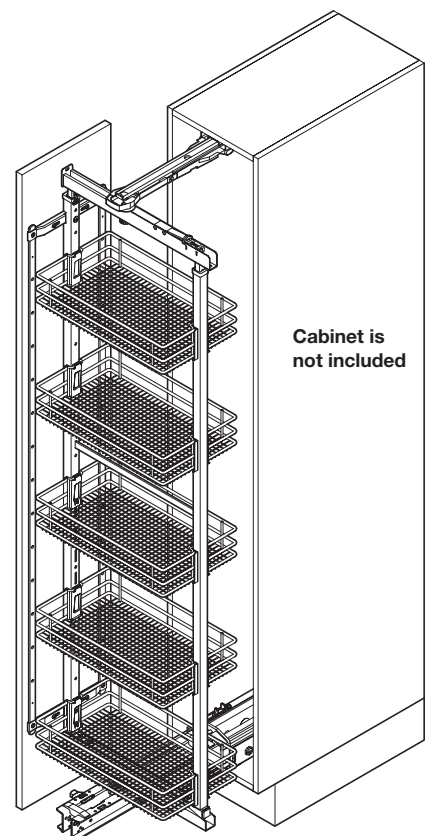
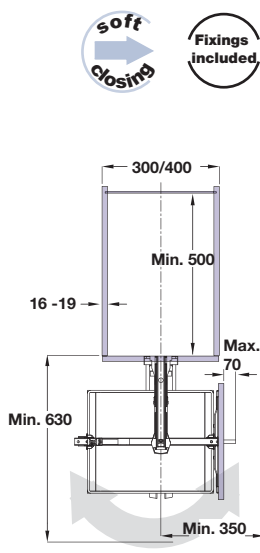
Order qty: 1 set (1 set = 2 pairs)

**Additional plastic clip, other colours**

- Handed; order 1 left and 1 right for each glass side

| Finish | Left hand  | Right hand |
|--------|------------|------------|
| Grey   | 547.24.651 | 547.24.650 |
| Black  | 547.24.351 | 547.24.350 |
| White  | 547.24.751 | 547.24.750 |

Order qty: 1 pc





DUSA® Swing Out Pantry Units

DUSA® swing out pantry units

For 500 mm cabinet widths, this pull out pantry unit includes baskets for both door frame and main pull out.

The pantry unit is easy to use; the baskets are pulled out of the cabinet at the same time as the door is opened.

Baskets can be individually positioned at the required height in both the cabinet frame and on the door frame.

Symmetrical height alignment of both cabinet and door baskets is possible, if required.

Two integrated dampers ensures quiet, smooth closing of the pull out.

Pantry units are supplied complete with choice of baskets included: Baskets are available in chrome wire mesh, linear wire or with white Premea solid base.

Optional Glassline glass side insert sets can be ordered separately for Premea style baskets.

Cabinet is not included.



Baskets can be individually positioned at the required height in both the cabinet frame and on the door frame.



Swing out pantry unit with Premea solid base storage baskets and glass sides



Symmetrical height alignment of both cabinet and door baskets is possible, if required.

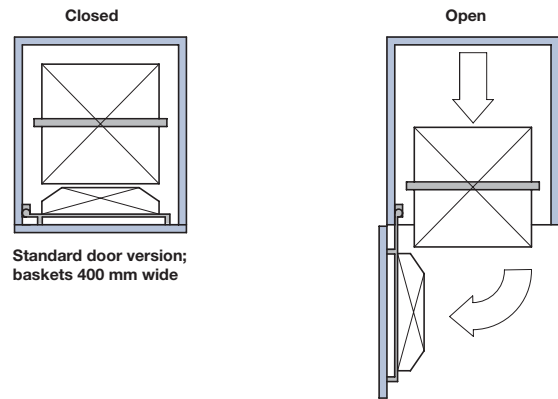


Swing out pantry unit with mesh wire storage baskets

V-S 2011, HUK. Dimensional data not binding. We reserve the right to alter specifications without notice.

**DUSA® swing out pantry unit complete set**

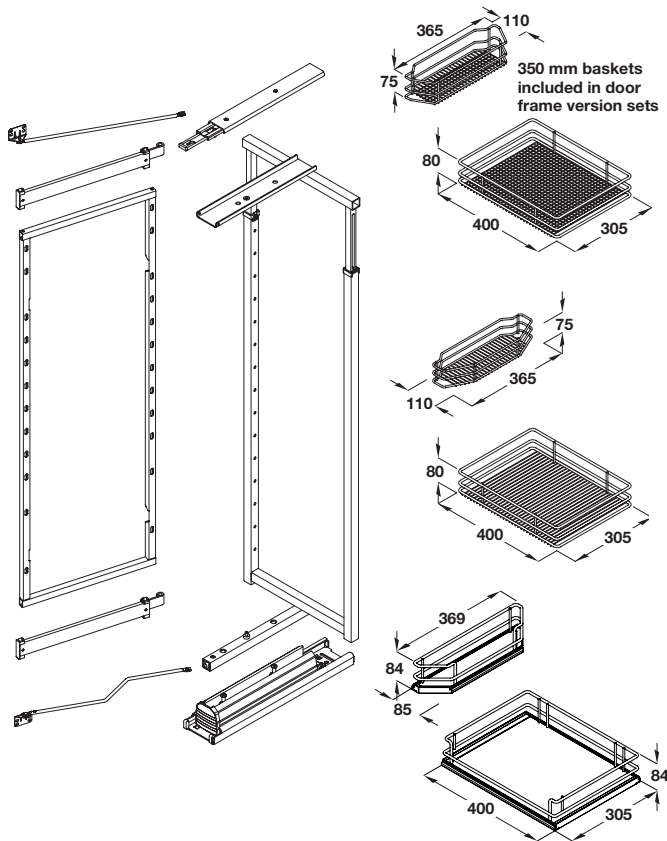
- For installed heights:  
950-1200 mm: **3x Each basket** (door and main) included  
1200-1450, 1450-1700 mm: **4x Each basket** (door and main) included  
1700-1950, 1900-2150 mm: **5x Each basket** (door and main) included  
2150-2350 mm: **7x Each basket** (door and main) included
- Built-in depth 480 mm
- For cabinet width 500 mm



**DUSA® swing out pantry unit complete set, centre and door mounting, height adjustable, full extension**

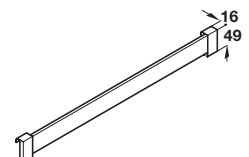
**Set includes:**

- **Hanging frame;** silver epoxy coated tubular steel, height adjustable
- **Door mounting frame;** silver epoxy coated steel with zinc-plated steel hinge support arms
- **Top and bottom runners;** full extension, ball cage top runner with damper and self closing bottom roller runner with damper, max. load carrying capacity 80 kg per unit
- **Storage baskets for main frame;** chrome-plated steel, available in 3 styles; mesh chrome wire, linear chrome wire or solid base
- **Storage baskets for door frame,** available in 3 styles; mesh chrome wire, linear chrome wire or solid base
- **Basket hanging and securing clips;** grey plastic
- **Door frame support hinges;** grey plastic
- **Door panel mounting bars;** silver epoxy coated tubular steel
- **Door frame fixing arm;** grey plastic, adjustable
- Fitting instructions



|   |            |
|---|------------|
| For cabinet width   | 500 mm     |
| Basket width  | 400 mm     |
| Installed height  |            |
| <b>Pantry unit with mesh wire storage baskets</b>         |            |
| 950-1200 mm   | 547.27.211 |
| 1200-1450 mm  | 547.27.212 |
| 1450-1700 mm  | 547.27.213 |
| 1700-1950 mm  | 547.27.214 |
| 1900-2150 mm  | 547.27.215 |
| 2150-2350 mm  | 547.27.216 |
| <b>Pantry unit with linear wire storage baskets</b>       |            |
| 1900-2150 mm  | 547.27.245 |
| <b>Pantry unit with solid base Premea storage baskets</b> |            |
| 1700-1950 mm  | 547.27.714 |
| 1900-2150 mm  | 547.27.715 |

Order qty: 1 set



**Glassline insert set**

- Set includes:  
5x Glass side panels for main frame baskets (372 x 38.5 x 5 mm)  
5x Glass side panels for door frame baskets (233 x 38.5 x 5 mm)  
20x Plastic clips (2 clips for each basket to secure glass side panel)
- Suitable for use with pantry sets **547.27.714** and **547.27.715** only
- Panels slot into fixing clips, fixing clips clip onto basket front/rear

|  |             |               |
|--|-------------|---------------|
| <b>Glass sides insert set for use with solid base Premea baskets</b> |             |               |
| Finish   | Clear glass | Frosted glass |
| Polished chrome clips  | 547.30.499  | 547.30.599    |

Order qty: 1 set



Premea solid base storage baskets with glass sides



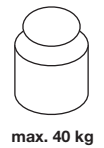
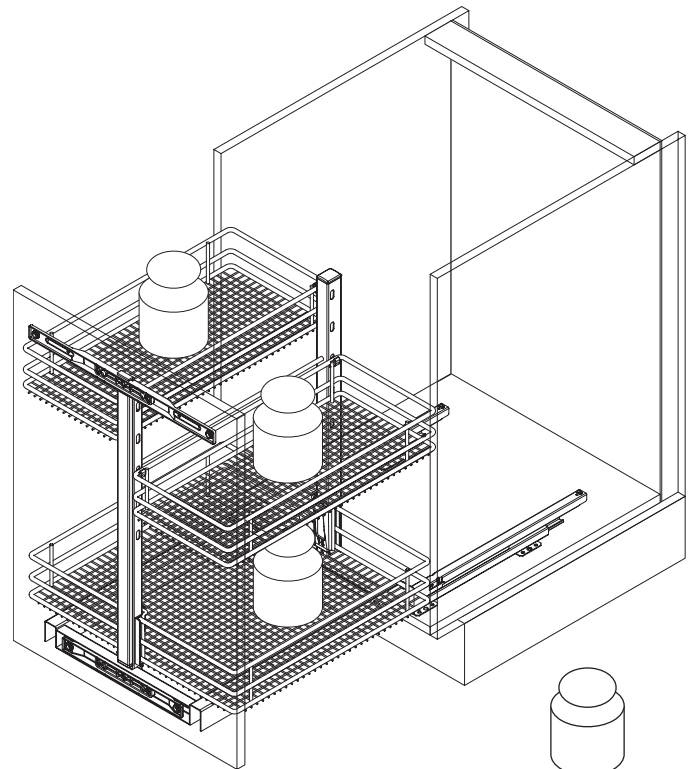
**Base liner**

The flexible storage system for base cabinets.

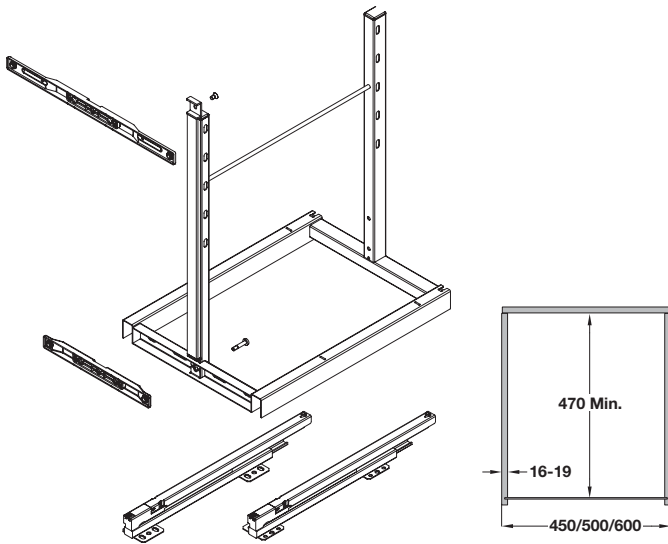
Bottom basket and side baskets are ordered separately to suit your own requirements. The front attachment for the hanging frame is height adjustable which means that either two or three basket levels are possible - single bottom basket and then either one or two pairs of side baskets to go above the base basket.

For use with standard 450, 500 or 600 door fronts as well as framed door fronts.

A bottle rack is also available, which can be purchased as an option instead of a side basket.



V-S 2011, HUK. Dimensional data not binding. We reserve the right to alter specifications without notice.



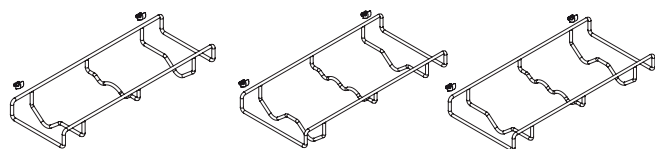
**Base liner pull out frame**

- Unhanded, for use with baskets shown
- Installed height: 587-800 mm
- Built-in depth: Min. 470 mm
- For cabinet width 450/500/600 mm
- Set includes
  - 1x **Base mounted frame**; silver epoxy coated steel
  - 2x **Door panel hanging plates**; silver epoxy coated steel
  - 1x **Pair ball bearing runners**; galvanized steel with integrated soft close damper
- Fixing materials and fitting instructions



| For cabinet widths | Cat. No.   |
|--------------------|------------|
| 450/500/600 mm     | 548.06.204 |

Order qty: 1 set



For 450 mm cabinet width Holds 2 bottles      For 500 mm cabinet width Holds 3 bottles      For 600 mm cabinet width Holds 4 bottles

**Base liner bottle rack (optional)**

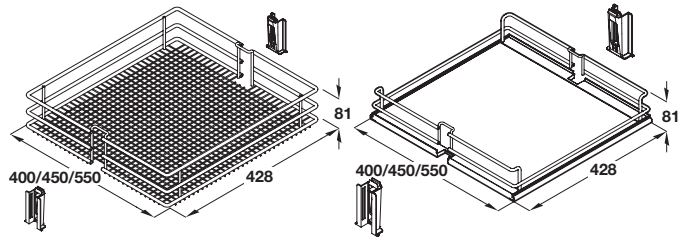
- Unhanded, alternative option to side basket
- Height x depth: 79 x 455 mm
- Set includes 1x rack and 2x grey plastic securing clips
- Polished chrome-plated steel



| For cabinet width | 450 mm     | 500 mm     | 600 mm     |
|-------------------|------------|------------|------------|
| Rack width        | 162 mm     | 212 mm     | 262 mm     |
| For               | 2 bottles  | 3 bottles  | 4 bottles  |
| Cat. No.          | 548.06.221 | 548.06.222 | 548.06.223 |

Order qty: 1 set

**Order frame and basket sets separately**

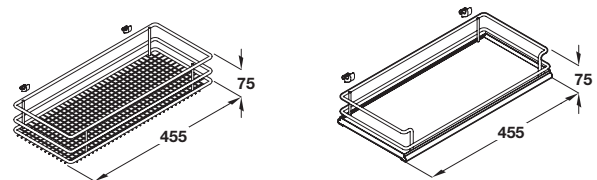


**Base liner bottom storage basket set**

- Unhanded
- Height x depth: 81 x 428 mm
- Set includes 1x storage basket and 2x grey plastic securing clips
- Polished chrome-plated steel baskets, available as mesh or with white Premea base
- Glass insert sides are available for Premea basket only - see below
- **Note:** Pull out frame must be ordered separately

| For cabinet width | 450 mm     | 500 mm     | 600 mm     |
|-------------------|------------|------------|------------|
| Basket width      | 400 mm     | 450 mm     | 550 mm     |
| Mesh chrome       | 548.06.331 | 548.06.332 | 548.06.333 |
| Chrome/Premea     | 548.06.731 | 548.06.732 | 548.06.733 |

Order qty: 1 set



**Base liner side storage basket set**

- Unhanded
- Height x depth: 75 x 455 mm
- Set includes 1x storage basket and 2x grey plastic securing clips
- Polished chrome-plated steel baskets, available as mesh or with white Premea base
- Glass insert sides are available for Premea basket only - see below
- **Note:** Pull out frame must be ordered separately

| For cabinet width | 450 mm     | 500 mm     | 600 mm     |
|-------------------|------------|------------|------------|
| Basket width      | 187 mm     | 212 mm     | 262 mm     |
| Mesh chrome       | 548.06.341 | 548.06.342 | 548.06.343 |
| Chrome/Premea     | 548.06.741 | 548.06.742 | 548.06.743 |

Order qty: 1 set



**Glassline insert set**

- Glass side panels (400/422 x 38.5 x 5 mm) and polished chrome plastic clips in quantities suitable for:
  - Bottom basket set - 2 sides and 4 clips per basket
  - Side basket set - 1 side and 2 clips per basket
- **For use with Base liner solid base Premea baskets only**
- Panels slot into fixing clips, fixing clips clip onto basket front/rear

| Glass sides insert set for use with solid base Premea baskets |             |             |               |
|---|-------------|-------------|---------------|
| For use with  | Glass width | Clear glass | Frosted glass |
| Bottom basket set   | 400 mm      | 547.24.441  | 547.24.541    |
| Side basket set   | 422 mm      | 548.06.490  | 548.06.590    |

Order qty: 1 set



# Wari Corner® Swing Out Corner Storage Units

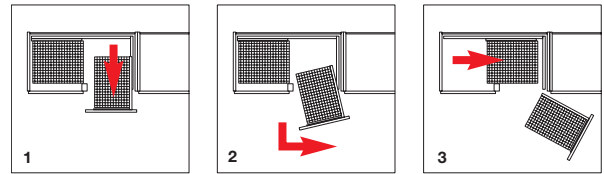
This clever storage unit is designed so that the rear baskets automatically follow the front baskets when the door is opened and pulled away from the cabinet.

Door front fixing with integrated 3D adjustment and central height alignment allows the swing out corner storage unit to be fitted perfectly.

Upon opening, the front baskets automatically swing away leaving free access to the back basket, making all baskets easily accessible when the unit is fully opened.

Integrated damping ensures quiet, smooth closing of the pull out.

Optional Glassline glass side insert sets can be ordered separately for Premea style baskets.



**Automatic pull-out action** - rear baskets automatically follow front baskets when the door is pulled away from the cabinet.

Right hand shown.

### Choice of baskets:



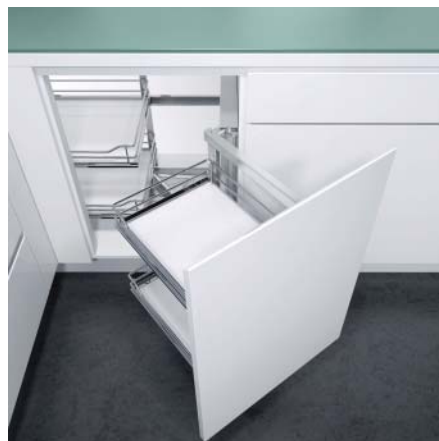
Mesh wire baskets



White premea base with glass side inserts



Automatic pull out action



**Right hand version shown**



V-S 2011, HUK. Dimensional data not binding. We reserve the right to alter specifications without notice.



Wari Corner® Swing Out Corner Storage Units

**Wari corner® swing out corner storage unit complete set, automatic pull out action**

- Installed height: 530 mm
- Built-in depth: 485 mm
- For minimum cabinet width 800 or 900 mm, 900 mm version can also be used in 1000 or 1200 mm cabinets

**Set includes:**

**1x Frame set:**

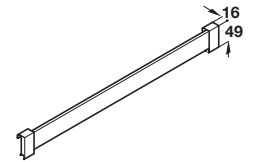
- Rear hanging frame and base mounting track; silver epoxy coated tubular steel
- Door frame with pivot; silver epoxy coated tubular steel
- Back frame; silver epoxy coated tubular steel
- Door frame follower; fiber glass improved plastic
- Door panel hanging plates; silver coloured steel, 3 way adjustable, 800 mm version to suit 400 mm door widths 900 mm version to suit 450, 500 and 600 mm door widths
- Fixing screws and fitting instructions

**1x Basket set:**

- 2x Storage baskets (rear); chrome-plated, available in 3 styles; mesh chrome wire, linear chrome wire or Premea white solid base, max. load carrying capacity 9.5 kg
- 2x Storage baskets (door); chrome-plated, available in 3 styles; mesh chrome wire, linear chrome wire or Premea white solid base, max. load carrying capacity 8 kg



Right hand version shown above



**Glassline insert set**

- Set includes:
  - 2x Glass side panels for cabinet baskets 300\*/400 x 38.5 x 5 mm
  - 2x Glass side panels for front baskets 420 x 38.5 x 5 mm
  - 8x Clips for side panels, polished chrome plastic
- Suitable for 1 unit
- **For use with solid base Premea baskets only**
- Panels slot into fixing clips, fixing clips clip onto basket front/rear

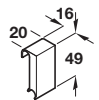
**Glass sides insert set for use with solid base Premea baskets**

| For use with   | Clear glass | Frosted glass |
|----------------|-------------|---------------|
| 800 mm version | 548.19.468  | 548.19.568    |
| 900 mm version | 548.19.469  | 548.19.569    |

Order qty: 1 set

**Additional plastic clip set**

- 1 set includes 2 pairs of clips, suitable to fit 2 glass sides



| Finish          | Cat. No.   |
|-----------------|------------|
| Polished chrome | 547.24.252 |

Order qty: 1 set (1 set = 2 pairs)

**Additional plastic clip, other colours**

- Handed; order 1 left and 1 right for each glass side

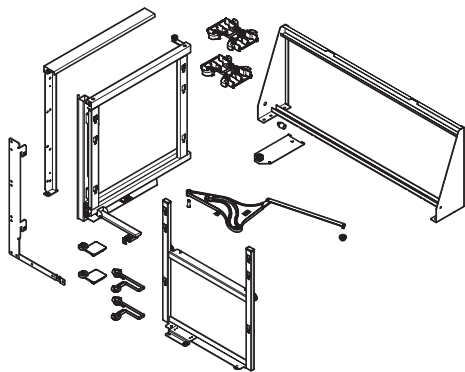
| Finish | Left hand  | Right hand |
|--------|------------|------------|
| Grey   | 547.24.651 | 547.24.650 |
| Black  | 547.24.351 | 547.24.350 |
| White  | 547.24.751 | 547.24.750 |

Order qty: 1 pc

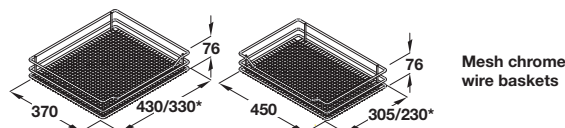
| 800 mm version*                            |            |            |
|--|------------|------------|
| Basket style                               | Left hand  | Right hand |
| Mesh wire, chrome-plated                   | 548.17.225 | 548.17.224 |
| Linear wire, chrome-plated                 | 548.17.205 | 548.17.204 |
| Solid base, white Premea, chrome           | 548.17.265 | 548.17.264 |
| 900 mm version (also for 1000 and 1200 mm) |            |            |
| Basket style                               | Left hand  | Right hand |
| Mesh wire, chrome-plated                   | 548.17.235 | 548.17.234 |
| Linear wire, chrome-plated                 | 548.17.215 | 548.17.214 |
| Solid base, white Premea, chrome           | 548.17.275 | 548.17.274 |

Order qty: 1 set

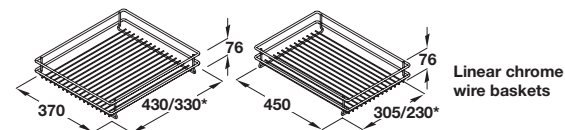
Rear hanging frame and door frame - left hand version shown



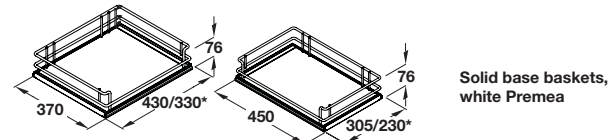
Choice of baskets included with sets



Mesh chrome wire baskets



Linear chrome wire baskets



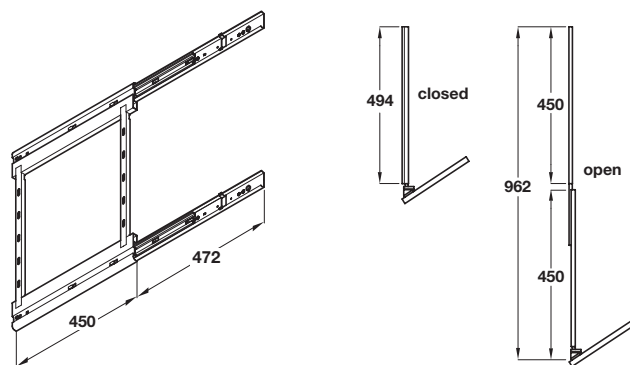
Solid base baskets, white Premea



DSA Pull Out Storage - Frame and Baskets



150 mm cabinets - order frame and 82 mm basket set separately



Pull out storage unit frame

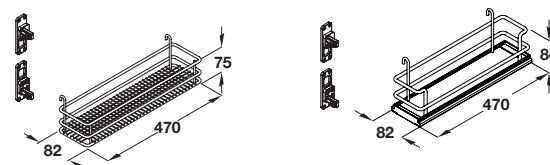
- Unhanded, for use with baskets shown
- Integrated soft close damper
- Installed height: 600 mm
- Built-in depth: See baskets, for cabinet width 150/300 mm
- Steel



| Finish              | Cat. No.   |
|---------------------|------------|
| Silver epoxy coated | 546.39.996 |

Order qty: 1 set

Pull out storage unit frame must be ordered separately - shown above



Storage basket set, 82 mm width



- Unhanded
- Built-in depth: 495 mm
- Set includes 2x storage baskets, 4x clips and 2x door hanging plates
- Polished chrome-plated steel baskets, zinc-plated steel basket securing clips and door hanging plates
- **Note:** Pull out frame must be ordered separately

| Basket style                 | Cat. No.   |
|------------------------------|------------|
| Mesh chrome wire basket set  | 546.39.380 |
| White Premea base basket set | 546.39.330 |

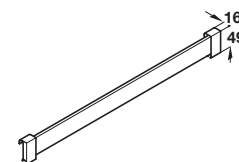
Order qty: 1 set

DSA

The DSA side pull-out is the proven solution for base cabinets. This popular classic has additional front stabilization and an adjustment device for wide fronts and all angles.

Frame has integrated soft close damper.

Order frame and baskets separately. Optional Glassline glass side insert sets can be ordered separately for Premea style baskets.



Glassline insert set

- Glass side panels (442 x 38.5 x 5 mm) and clips in quantities suitable for 90° 82 and 230 mm basket sets, i.e. 2 side panels and 4 clips (1 side and 2 clips per basket)
- **For use with 90° solid base Premea baskets only**  
Panels slot into fixing clips, fixing clips clip onto basket front/rear

| Glass sides insert set for use with solid base Premea baskets |             |               |
|---|-------------|---------------|
| For use with  | Clear glass | Frosted glass |
| 90° 82/230 mm basket sets                                     | 546.40.480  | 546.40.580    |

Order qty: 1 set (= 2 side panels and 4 clips)





- order frame and basket with oven tray holder set separately

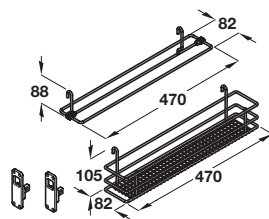
- order frame and basket/towel holder set separately

**Pull out storage unit frame must be ordered separately - refer to page 14**

**Pull out storage unit frame must be ordered separately - refer to page 14**

**Storage basket and oven tray holder set, 82 mm width**

- Unhanded
- Built-in depth: 495 mm
- Set includes 1x storage basket, 1x oven tray holder, 4x clips and 2x door hanging plates
- Polished chrome-plated steel basket and towel rail, zinc-plated steel basket securing clips and door hanging plates
- **Note:** Pull out frame must be ordered separately



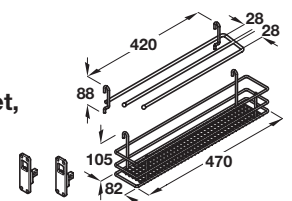
**Fixings included**

|                      |            |
|----------------------|------------|
| Mesh chrome wire set | Cat. No.   |
| Unhanded             | 546.39.440 |

Order qty: 1 set

**Storage basket and towel holder set, 82 mm width**

- Left or right handed
- Built-in depth: 495 mm
- Set includes 1x storage basket, 1x towel rail, 4x clips and 2x door hanging plates
- Polished chrome-plated steel basket and towel rail, zinc-plated steel basket securing clips and door hanging plates
- **Note:** Pull out frame must be ordered separately



**Fixings included**

|                      |            |            |
|----------------------|------------|------------|
| Mesh chrome wire set | Left hand  | Right hand |
| Cat. No.             | 546.39.350 | 546.39.340 |

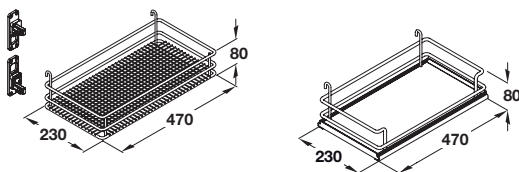
Order qty: 1 set

V-S 2011, HUK. Dimensional data not binding. We reserve the right to alter specifications without notice.



300 mm cabinet - order frame, 230 mm basket set and optional glass sides separately

Pull out storage unit frame must be ordered separately - refer to page 14



Storage basket set, 230 mm width



- Unhanded
- Built-in depth: 495 mm
- Set includes 2x storage baskets, 4x securing clips and 2x door hanging plates
- Polished chrome-plated steel baskets, zinc-plated steel securing clips and door hanging plates
- **Note:** Pull out frame must be ordered separately

| Basket style                 | Cat. No.   |
|------------------------------|------------|
| Mesh chrome wire basket set  | 546.39.243 |
| White Premea base basket set | 546.39.233 |

Order qty: 1 set

Glassline insert set

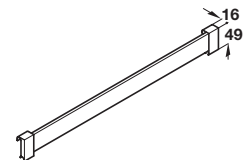
- Glass side panels (442 x 38.5 x 5 mm) and clips in quantities suitable for 90° 82 and 230 mm basket sets, i.e. 2 side panels and 4 clips (1 side and 2 clips per basket)

For use with 90° solid base Premea baskets only

- Panels slot into fixing clips, fixing clips clip onto basket front/rear

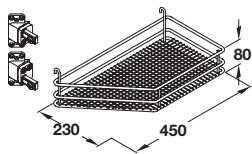
| Glass sides insert set for use with solid base Premea baskets |             |               |
|---|-------------|---------------|
| For use with  | Clear glass | Frosted glass |
| 90° 82/230 mm basket sets                                     | 546.40.480  | 546.40.580    |

Order qty: 1 set (= 2 side panels and 4 clips)

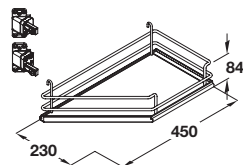




Angled 300 mm cabinet - order frame and angled basket set separately



Right hand  
45° version shown



**30/35° or 45° basket set, 230 mm width**

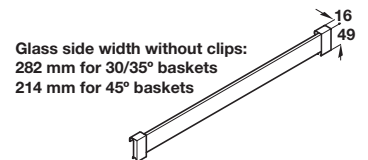


- Left or right handed
- Built-in depth: 510 mm for 30/35°, 520 mm for 45° baskets
- Set includes 2x storage baskets, 4x securing clips and 2x door hanging plates
- Polished chrome-plated steel baskets, zinc-plated steel securing clips and door hanging plates
- **Note:** Pull out frame must be ordered separately

| Basket angle                 | 30/35°     | 45°        |
|------------------------------|------------|------------|
| Mesh chrome wire basket set  |            |            |
| Left hand                    | 546.39.053 | 546.39.153 |
| Right hand                   | 546.39.043 | 546.39.143 |
| White Premea base basket set |            |            |
| Left hand                    | 546.39.033 | 546.39.133 |
| Right hand                   | 546.39.023 | 546.39.123 |

Order qty: 1 set

**Pull out storage unit frame must be ordered separately - refer to page 14**



**Glassline insert set**

- Glass side panels (282/214 x 38.5 x 5 mm) and clips in quantities suitable for 30/35° or 45° 230 mm basket sets, i.e. 2 side panels and 4 clips (1 side and 2 clips per basket)
- **For use with angled solid base Premea baskets only**
- Panels slot into fixing clips, fixing clips clip onto basket front/rear

**Glass sides insert set for use with solid base Premea baskets**

| For use with       | Glass width | Clear glass | Frosted glass |
|--------------------|-------------|-------------|---------------|
| 30/35° basket sets | 282 mm      | 546.40.490  | 546.40.590    |
| 45° basket sets    | 214 mm      | 546.40.491  | 546.40.591    |

Order qty: 1 set (= 2 side panels and 4 clips)



150 mm cabinet - basket, oven tray holder and runners all included in the set, for installation on right hand side only, as shown

**Pull out storage sets**

Three options available for 150 mm cabinets:

Storage basket with oven tray holder

Storage basket with towel holder

Two tier storage basket set

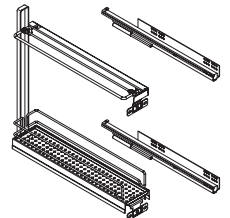
Sets include soft closing runners and storage fittings.

**90° Storage basket and oven tray holder set, 100 mm width**

- Handed - right handed only, as per photograph shown
- Installed height: 600 mm
- Built-in depth: 500 mm

**Set includes:**

- **Storage basket;** 1x basket, heavier gauge chrome-plated steel with solid base
- **Oven tray holder;** 1x holder, heavier gauge chrome-plated steel
- **Ball bearing runners;** 1x pair of runners, galvanized steel, full extension, self closing including 2 dampers
- **Basket securing clips;** 4x clips, zinc-plated steel
- **Door hanging plates;** 2x plates, zinc-plated steel



| For cabinet width | Cat. No.   |
|-------------------|------------|
| 150 mm            | 545.12.282 |

Order qty: 1 set

V-S 2011, HUK. Dimensional data not binding. We reserve the right to alter specifications without notice.



- basket, towel holder and runners



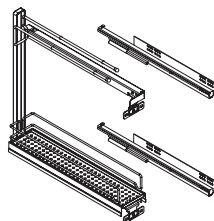
- two tier basket set and runners

**90° Storage basket and towel holder set, 100 mm width**

- Handed - right handed only, as per photograph shown
- Installed height: 600 mm
- Built-in depth: 500 mm

**Set includes:**

- **Storage basket;** 1x basket, heavier gauge chrome-plated steel with solid base
- **Towel holder;** 1x 2-rail holder, heavier gauge chrome-plated steel
- **Ball bearing runners;** 1x pair of runners, galvanized steel, full extension, self closing including 2 dampers
- **Basket securing clips;** 4x clips, zinc-plated steel
- **Door hanging plates;** 2x plates, zinc-plated steel



| For cabinet width | Cat. No.   |
|-------------------|------------|
| 150 mm            | 545.12.252 |

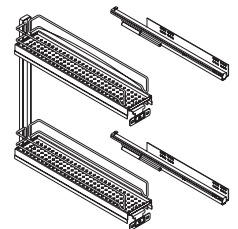
Order qty: 1 set

**90° Storage baskets set, 100 mm width**

- Handed - right handed only, as per photograph shown
- Installed height: 600 mm
- Built-in depth: 500 mm

**Set includes:**

- **Storage baskets;** 2x baskets, heavier gauge chrome-plated steel with solid base
- **Ball bearing runners;** 1x pair of runners, galvanized steel, full extension, self closing including 2 dampers
- **Basket securing clips;** 4x clips, zinc-plated steel
- **Door hanging plates;** 2x plates, zinc-plated steel



| For cabinet width | Cat. No.   |
|-------------------|------------|
| 150 mm            | 545.12.272 |

Order qty: 1 set

V-S 2011, HUK. Dimensional data not binding. We reserve the right to alter specifications without notice.

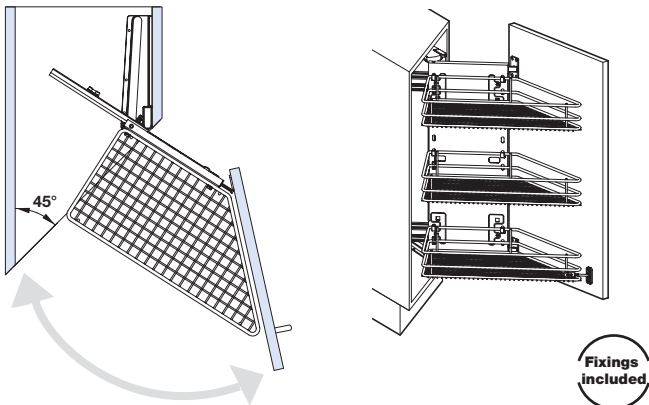


Angled 300 mm cabinet - 45° angled storage unit, right hand version shown

### Rotary angled storage units

Designed to suit the increasing popular chisel fronted cabinets.

The baskets pull out from the unit and rotate, so that the entire contents of the baskets are easily accessible.



Note: Diagram and photos show right hand version.

#### Rotary, 45° angled storage unit with chrome wire mesh baskets

- For 45° angled cabinets
- For installed height 630 mm
- Built-in depth 500 mm
- For minimum cabinet width 300 mm

#### Set includes:

- **Hanging frame;** silver epoxy coated steel, max. load carrying capacity 16 kg per unit
- **Storage baskets;** 3x chrome-plated steel, mesh chrome wire, 210 x 450 mm
- **Fixing clips;** silver epoxy coated steel
- Fitting instructions



| For cabinet width | Left hand  | Right hand |
|-------------------|------------|------------|
| 300 mm            | 546.37.551 | 546.37.541 |

Order qty: 1 set

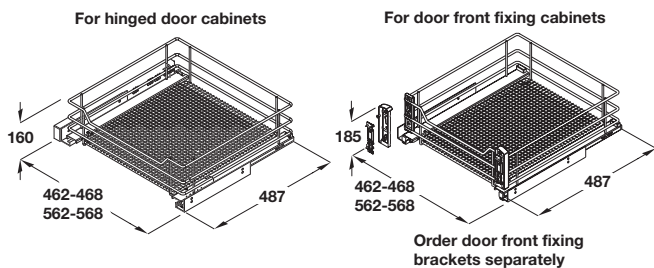


For 500 or 600 mm cabinet widths - set includes one storage basket and one pair soft closing runners

**Pull out storage baskets**

Storage basket sets for hinged door cabinets or cabinets with door fronts.

Sets include 1 basket and 1 pair of runners, for either 500 or 600 mm cabinet widths.



**Pull out storage set with chrome wire mesh baskets**

- To suit 500 or 600 mm cabinet widths with 15/16 or 18/19 mm board thickness
- Minimum internal depth: 515 mm
- Comprises:  
 1x Storage basket, chrome-plated steel, mesh chrome wire, max. load carrying capacity 20 kg per basket
- 1x Pair ball bearing runners, galvanized steel, full extension, self closing
- Fitting instructions



| For cabinet width                   | 500 mm     | 600 mm     |
|-------------------------------------|------------|------------|
| For hinged door cabinets            | 548.01.214 | 548.01.216 |
| For door front fixing cabinets      | 548.01.204 | 548.01.206 |
| Door front fixing brackets (1 pair) | 548.01.999 |            |

Order qty: 1 set



Recorner maxx® Pole-free Shelving Units



Photograph above shows 3 sets of Recorner maxx® installed

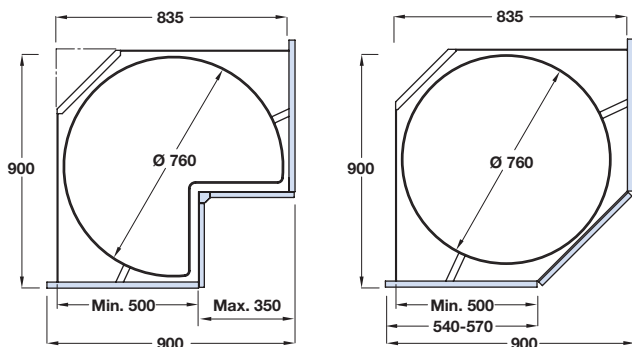


Recorner maxx® with polished chrome rail

Recorner maxx®

This pole-free corner cabinet solution provides a distinctly greater amount of storage space with no space limiting central column, giving optimum use of storage space for bulky accessories such as bowls, trays and pans.

Shelves are side mounted to carcass walls using an ingenious pole-free system.



Recorner maxx® pole-free shelving unit

- Suitable for 900 mm corner base cabinets
• Built-in depth: 500 mm
• Unhanded
• 27.5 kg carrying capacity per shelf
• Designed with no central column to give greatest amount of storage space and with adjustable shelf heights to suit different cabinet heights
• Can be retro-fitted into existing cabinets
• Shelves rotate independently of each other
• 2x: Set includes 2x 3/4 or 2x 4/4 white wood round shelves with polished chrome rail, lower shelf central bearing, upper shelf diagonal strut and fitting instructions
• Fixing screws not included, order Cat. No. 015.71.839 separately

Table with 2 columns: For 900 mm cabinet width, Cat. No.
Three quarter carousel unit: 542.62.712
Full circle carousel unit: 542.62.722

Order qty: 1 set (1 set = 2 shelves and fittings)

V-S 2011, HUK. Dimensional data not binding. We reserve the right to alter specifications without notice.





Recorner maxx® with plexiglass sides



**Recorner maxx® pole-free shelving unit with plexiglass sides**

- Suitable for 900 mm corner base cabinets
- Built-in depth: 500 mm
- Unhanded
- **27.5 kg** carrying capacity per shelf
- Designed with no central column to give greatest amount of storage space and with adjustable shelf heights to suit different cabinet heights
- Can be retro-fitted into existing cabinets
- Shelves rotate independently of each other
- 2x: Set includes 2x 3/4 or 2x 4/4 white wood round shelves with **polished chrome edging and plexiglass inserts**, lower shelf central bearing, upper shelf diagonal strut and fitting instructions
- Fixing screws not included, order Cat. No. **015.71.839** separately

| For 900 mm cabinet width    | Cat. No.   |
|-----------------------------|------------|
| Three quarter carousel unit | 542.62.742 |
| Full circle carousel unit   | 542.62.752 |

Order qty: 1 set (1 set = 2 shelves and fittings)



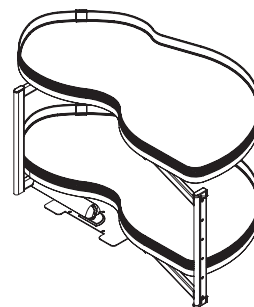
Twin corner pull out shelving unit with railing, right hand version

**Twin corner pull out shelving unit**

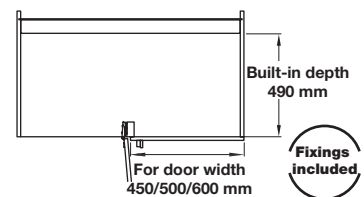
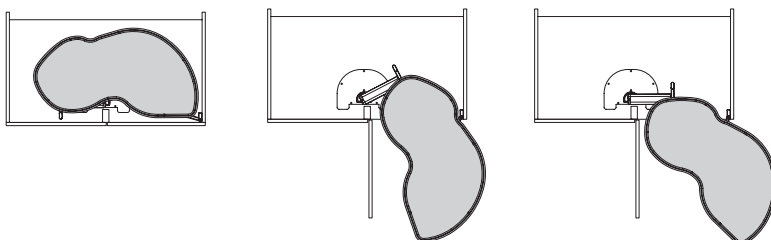
Twin corner includes 2 shelves and all fittings for installation in 900 or 1000 mm plus corner cabinets with 450 or 500 mm doors.

Designed so that the pull out section automatically begins to pivot as the unit is pulled out of the cabinet.

Slide corner shelving unit shown on page 26 has the same pull-out pivot action, but has the additional feature of shelves which can be pulled out independently of one another.



Shelves pull out together



Note: Diagram and photos show right hand version.



Twin corner pull out shelving unit without railing, right hand version

**Twin corner pull out shelving unit with railing**

- Suitable for 900, 1000 or min. 1000 mm corner base cabinets
- Built-in depth: 490 mm
- Left or right handed
- Designed so that the pull out section automatically begins to pivot as the unit is pulled out of the cabinet
- **Shelves pull out together**
- Set includes 2x laminated wooden shelves, with a white base and polished chrome rail, pull out and pivoting mechanism and fitting instructions

| For cabinet width | For door width | Left hand  | Right hand |
|-------------------|----------------|------------|------------|
| 900 mm            | 450 mm         | 542.08.246 | 542.08.245 |
| 1000 mm           | 500 mm         | 542.08.251 | 542.08.250 |
| Min. 1000 mm      | 600 mm         | 542.08.261 | 542.08.260 |

Order qty: 1 set

**Twin corner pull out shelving unit without railing**

- Set includes 2x laminated wooden shelves, with a white base and polished chrome edge, pull out and pivoting mechanism and fitting instructions

| For cabinet width | For door width | Left hand  | Right hand |
|-------------------|----------------|------------|------------|
| 900 mm            | 450 mm         | 542.08.846 | 542.08.845 |
| 1000 mm           | 500 mm         | 542.08.851 | 542.08.850 |

Order qty: 1 set

**Twin corner pull out shelving unit with plexiglass sides**

- Set includes 2x laminated wooden shelves, with a white base and polished chrome edging and plexiglass inserts, pull out and pivoting mechanism and fitting instructions

| For cabinet width | For door width | Left hand  | Right hand |
|-------------------|----------------|------------|------------|
| 1000 mm           | 500 mm         | 542.08.351 | 542.08.350 |

Order qty: 1 set



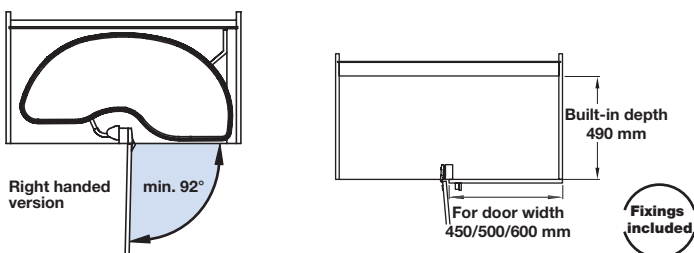
Slide corner pull out shelving unit with chrome rail, right hand version

### Slide corner pull out shelving unit

Slide corner includes two shelves and all fittings for installation in corner cabinets. Shelves do not obstruct adjacent cabinet when pulled out and pull out independently of each other.

**Please note:** 92° cabinet hinges must be used, as door needs to open a minimum of 92° to allow the unit to pull out.

Wide corner post must also be fitted, if D handles or similar protruding handles are used on the unit doors.



**Note:** Diagram and photos show right hand version

### Slide corner shelving unit

- Suitable for 900, 1000 or min. 1000 mm corner base cabinets
- Built-in depth: 490 mm
- Left or right handed
- Designed so that the pull-out section automatically begins to pivot as the unit is pulled out of the cabinet
- **Shelves pull out independently of one another**
- Set includes 2x laminated wooden shelves, with a white base and polished chrome rail, slide and pivoting mechanism and fitting instructions

| For cabinet width | For door width | Left hand  | Right hand |
|-------------------|----------------|------------|------------|
| 900 mm            | 450 mm         | 542.07.746 | 542.07.745 |
| 1000 mm           | 500 mm         | 542.07.751 | 542.07.750 |
| Min. 1000 mm      | 600 mm         | 542.07.761 | 542.07.760 |

### Slide corner shelving unit with plexiglass sides

- Set includes 2x laminated wooden shelves, with a white base and polished chrome edging and plexiglass inserts, slide and pivoting mechanism and fitting instructions

| For cabinet width | For door width | Left hand  | Right hand |
|-------------------|----------------|------------|------------|
| 900 mm            | 450 mm         | 542.07.346 | 542.07.345 |
| 1000 mm           | 500 mm         | 542.07.351 | 542.07.350 |
| Min. 1000 mm      | 600 mm         | 542.07.361 | 542.07.360 |

Order qty: 1 pc



Swing out waste bin with one 12 litre and three 9 litre bins

Swing out waste bin

- For hinged door cabinets, for side wall and base mounting to cabinets, by means of a side fixing bracket and base mounting weight bearing pivot
- Designed to be withdrawn from the cabinet whilst the lid remains inside
- Can be mounted left or right handed
- Installed height x width x depth: 525 x 460 x 460 mm
- Silver epoxy coated steel wire frame housing and light grey plastic mounting components and lid included
- Light grey plastic bins with yellow, light grey, blue and green coloured handles
- Total capacity: **39 litres**



| For cabinet width | Bins included                 | Cat. No.   |
|-------------------|-------------------------------|------------|
| Min. 500 mm       | <b>1x 12, 3x 9 litre bins</b> | 502.79.504 |

Order qty: 1 pc

Swing out waste bin

- For hinged door cabinets, for side wall and base mounting to cabinets, by means of a side fixing bracket and base mounting weight bearing pivot
- Designed to be withdrawn from the cabinet whilst the lid remains inside
- Can be mounted left or right handed
- Installed height x width x depth: 525 x 460 x 460 mm
- Silver epoxy coated steel wire frame housing and light grey plastic mounting components and lid included
- Light grey plastic bins with yellow, light grey and blue coloured handles
- Total capacity: **40 litres**



| For cabinet width | Bins included                        | Cat. No.   |
|-------------------|--------------------------------------|------------|
| Min. 500 mm       | <b>1x 19, 1x 12, 1x 9 litre bins</b> | 502.79.503 |

Order qty: 1 pc



Photo shows 600 mm wide cabinet with two 10 litre bins and one 22 litre bin - information available on request.

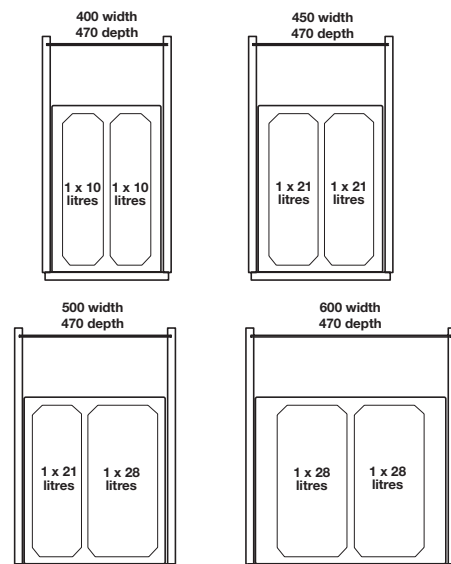
**Oeko liner pull-out waste bin**

- For door front fixing cabinets, for side wall mounting to cabinets
- Designed to be withdrawn from the cabinet whilst the lid remains inside for use as shelf
- Installed height: See table below  
Installed depth: 470 mm
- Silver epoxy coated steel side panels, lid, frame housing and mounting components and grey plastic bins
- Total capacity: 20, 42, 49 and 56 litres



| For cabinet width | Installed height | Bins included:          | Cat. No.   |
|-------------------|------------------|-------------------------|------------|
| 400 mm            | 370 mm           | 2x 10 litre bins        | 503.04.503 |
| 450 mm            | 470 mm           | 2x 21 litre bins        | 503.04.514 |
| 500 mm            | 470 mm           | 1x 21, 1x 28 litre bins | 503.04.515 |
| 600 mm            | 470 mm           | 2x 28 litre bins        | 503.04.517 |

Order qty: 1 pc



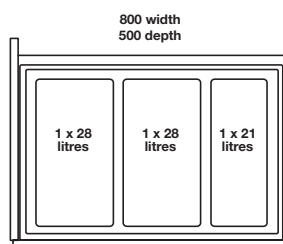
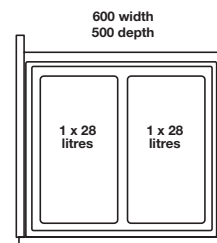
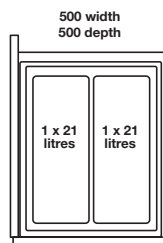
V-S 2011, HUK. Dimensional data not binding. We reserve the right to alter specifications without notice.



Photo shows 600 mm wide cabinet with 2x 10 litre bins and 1x 28 litre bin - information available on request. **Drawer box and runner not included.**

**Oeko flexliner system**

- For base mounting in standard drawer boxes or on pull out shelf
- System consists of a bin frame, bin sizes to suit and a lid shelf
- Frames sizes for cabinet widths 500, 600 and 800 mm
- Installed height: 466 mm
- Waste bins are made of high quality plastic with an extra smooth surface and are therefore easy to clean
- Lid offers additional storage space above the bins
- Bin frames and lid shelf are made of double powder coated metal with protective enamel, grey finish, bins are light grey plastic
- Total capacity: 49, 56 or 77 litres
- Other frame sizes are available for cabinet widths from 400 to 900 mm with bin capacities varying from 10 to 28 litres - information on request



| For drawer width | Bins included          | Cat. No.   |
|------------------|------------------------|------------|
| 500 mm           | 2x 21 litre bins       | 503.16.502 |
| 600 mm           | 2x 28 litre bins       | 503.16.503 |
| 800 mm           | 2x 28, 1x 21litre bins | 503.16.504 |

Order qty: 1 set